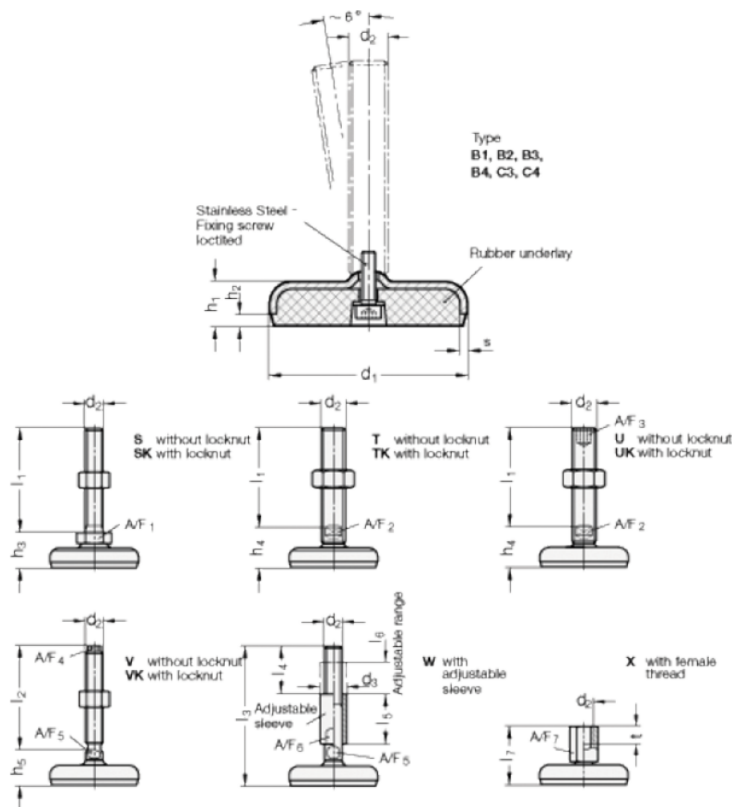


Article number: 203160M16198B1W

Description: E+G levelling foot  
GN 31-60-M16-198-B1-W

Note: W With adjustable sleeve , Hygienic Version, Wrench flat at the bottom

## Measures



|           |                 |
|-----------|-----------------|
| A/F5 = 12 | l3 +4.0/0 = 198 |
| A/F6 = 20 | l4 = 45         |
| d1 = 60   | l5 = 45         |
| d2 = 16   | l6 = 29         |
| d3 = 24   | s = 3           |
| h1 = 16   |                 |
| h2 = 4    |                 |
| l1 = 198  |                 |